

OUTDOOR LIGHTING

# PUCK

**GENERAL**

PUCK  
 Category: integrated  
 Light source: LED  
 Color changing: no  
 Warranty: 5 years

**DIMENSIONS**

Length: -  
 Width: -  
 Height: 2.28" / 58 mm  
 Diameter: 3.39"/2.36 / 86/60 mm  
 Total height: -  
 Recess depth: 2.17" / 55 mm

**ELECTRONICS**

Voltage: 12V AC  
 Output: 1.50 Watt  
 VA: 2.50  
 Power factor: 0.60  
 Light source: 3x SMD-LED 0.5W  
 Lifetime: 25000 hours  
 Energy label: B  
 Dimmable: no  
 Length of cable lead: 24" / 600 mm

**LIGHT SPECIFICATIONS**

Color temperature: 2900 K  
 CRI (RA): 96  
 Luminous intensity: 1.34 Cd  
 Light beam 0-180: 180°  
 Light beam 90-270: 360°  
 Net luminous flux: 11 lumen  
 Luminous efficacy: 7 lumenwatt

**MATERIAL**

Ring Plate: aluminum  
 Lens: polycarbonate  
 Exterior: polycarbonate  
 Easy Lock included: yes  
 Installation hardware included: yes

**AVAILABLE PRODUCT COLORS**

■ Rose silver ■ Dark

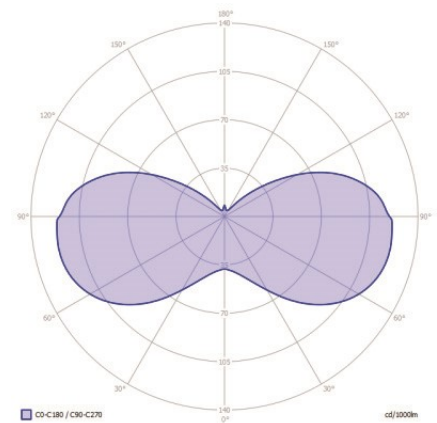
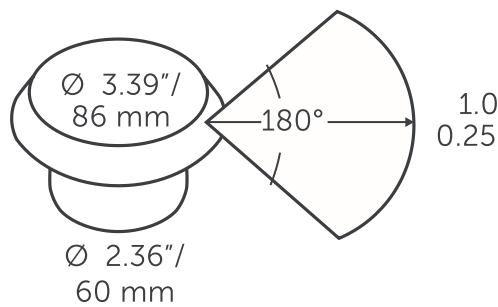
**AVAILABLE ACCESSORIES**

-

**PROTECTION RATING**

IP : 67

Distance		Light circle 0-180°		Light circle 90-270°		Illuminance
[m]	[ft]	[m]	[ft]	[m]	[ft]	[lux]
0.1	0.33	-	-	-	-	134.00
0.2	0.66	-	-	-	-	33.50
0.3	0.98	-	-	-	-	14.89
0.4	1.31	-	-	-	-	8.38
0.5	1.64	-	-	-	-	5.36
0.6	1.97	-	-	-	-	3.72
0.304	1.00	-	-	-	-	14.50



in-lite®

12 volt

